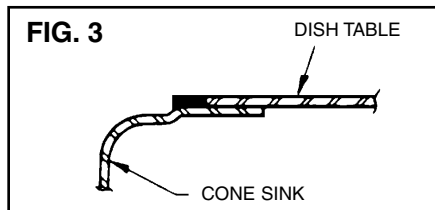
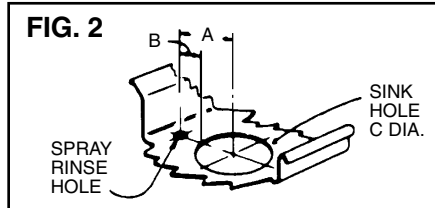
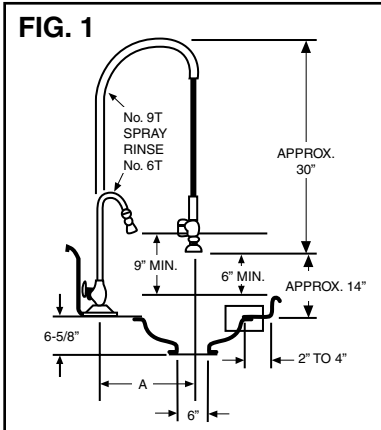


**BEFORE INSTALLING, READ ENTIRE INSTRUCTIONS CAREFULLY.
RISK OF INJURY TO PERSONS FROM HAZARDOUS MOVING PARTS. SERIOUS INJURY POSSIBLE IF
NOT PROPERLY INSTALLED WITH A HOPPER OR A CONE SPECIFIED IN THE INSTRUCTION MANUAL.**



MODEL 6T			
	2216 12" CONE	2215 15" CONE	2211 18" CONE
A	10 1/4"	11 3/4"	13 1/4"
B	3 1/2"	3 1/2"	3 1/2"
C	13 1/2"	16 1/2"	19 1/2"
MODEL 9T			
	2216 12" CONE	2215 15" CONE	2211 18" CONE
A	12 7/8"	12 7/8"	12 7/8"
B	6 1/8"	4 5/8"	3 1/8"
C	13 1/2"	16 1/2"	19 1/2"

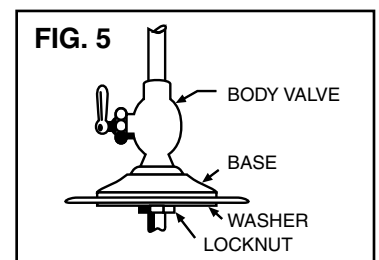
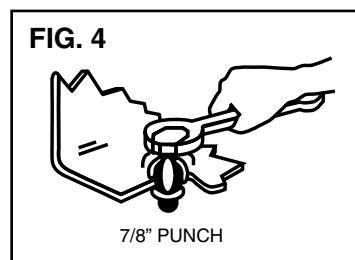
IF YOU ARE REPLACING AN OLD DISPOSER GO TO *MOUNTING DISPOSER*

INSTALLATION OF CONE SINK INTO DISH OR WORKTABLE

1. (See Figures 1 and 2.) Locate hole center as shown on Figure 2. Cut a "C" (Figure 2) diameter hole in dish or work table, a minimum of 2" from the inside front edge (operator's side). Hole can be cut with a "nibbler" after a knockout hole 1-1/2" diameter has been punched.
2. Lift cone to underside of table with cone flange overlapping all around (Figures 1 and 3).
3. Check alignment of cone spray fittings to be sure they are in the proper position. For 15" and 18" cones, position such that holes are located to right and left side of operator. (See Figure 7 for location.)
4. Tack weld, spot weld, bolt, or rivet flange of cone sink to underside of dish or work table. If bolted or riveted, smooth top surface and wash-solder around bolt or rivet heads and sand smooth.
5. Bead weld or solder and wash-solder all around where the table joins flange of cone sink for a clean, watertight, sanitary installation.
6. The cone sink has been designed with the step, as shown in Figure 3. In the welding or soldering operation required to assemble the cone sink to the dish or work table, every attempt should be made to keep the recessed, flat portion of the cone free of the welded or solder material. This will minimize the clean-up time required and provide a smooth, flat surface for any cover.

SPRAY-RINSE INSTALLATION

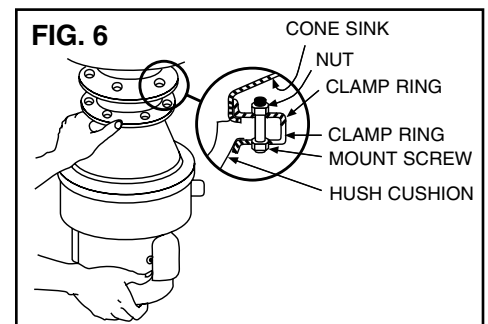
1. Locate center (Figures 1 and 2).
2. Drill 7/16" diameter hole through center.
3. Assemble 7/8" punch and tighten bolt head, as shown in Fig. 4, until the die pierces the stainless steel, leaving a clean opening of 7/8".
4. Place body valve and base in position, assemble washer and locknut as shown in Figure 5.
5. Attach vol-temp assembly to the projecting nipple, as shown in Figure 7.



MOUNTING DISPOSER

For models to be installed in sink with 3-1/2" outlet, see separate sheet enclosed for mounting instructions.

1. Clamp ring taped to top side of Hush Cushion® should be placed on underside of top flange of Hush Cushion®. Line up holes in clamp ring with holes in Hush Cushion® and insert six screws also contained in plastic bag. Insert through clamp ring and Hush Cushion® from the underside.
2. Line up holes in loose steel clamp ring on cone sink with screws in Hush Cushion® and raise disposer into position with screws matching holes in clamp ring in approximate position with plumbing drain outlet.
3. To manually raise the disposer into position, lift the unit by grasping the disposer with one hand from the bottom of the motor, and with the other hand around the Hush Cushion®, guide the unit into position, as shown in Figure 6.



MOUNTING DISPOSER – Continued (Refer to Figure 6)

- Attach a nut by two or three threads to screw and then attach another nut to screw on the opposite side of disposer. Finger-tighten two screws to hold unit in place. Attach remaining four nuts to screws and finger-tighten evenly.
- Check alignment with plumbing. Adjustment in alignment to plumbing can be made by rotating the unit carefully before tightening the nuts. To assist in rotating unit, raise the unit from the bottom of the motor to relieve weight.
- With the unit in its proper position, proceed to tighten six nuts evenly.

PLUMBING INSTALLATION

IMPORTANT! Before installing the Waste King disposer, the connecting waste line must be cleaned out to the connecting sewer main.

MAKE ALL PLUMBING AND ELECTRICAL CONNECTIONS ACCORDING TO LOCAL CODES.

Recessed thread fittings must be used throughout and all pipe ends should be carefully reamed.

FIG. 7 CONE ASSEMBLY (Typical Installation)

NOTE:

A globe valve, if used for metering flow, must be installed between solenoid valve and disposer. See metering valve Fig. 7. Any valve ahead of the solenoid valve must be opened and cause no restrictions.

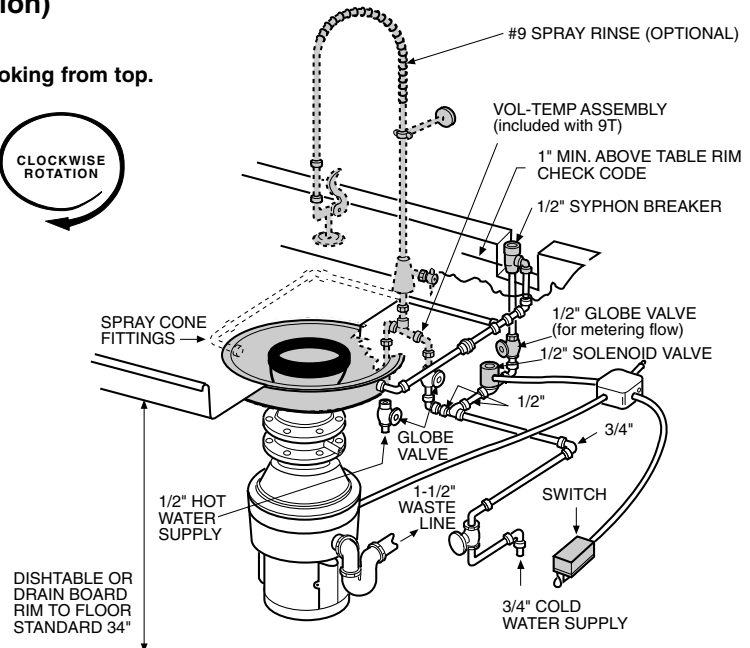
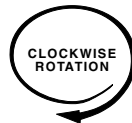
IMPORTANT! Do not test or run disposer without minimum water flow (see Plumbing Installation) as this will damage the seal and void the warranty.

**MINIMUM WATER FLOW RATE
5 GALLONS PER MINUTE WHILE IN USE**

NOTE:

BASE UNIT INCLUDES DISPOSER, MOUNTINGS, AND DRAIN OUTLET. OTHER ITEMS SHOWN IN GRAY IN FIGURE 7 ARE AVAILABLE IN EQUIPMENT GROUPS ORDERED SEPARATELY.

Looking from top.



- For spray-rinse with vol-temp, run a 1/2" hot water line to point indicated in Figure 7. Connect to spray-rinse globe valve, hot water side. At no time should hot water be connected directly to disposer or cone sink.
- Run a 1/2" cold water connection to point indicated in Figure 7.
- Install solenoid valve in line, in upright (coil side up) position as shown in Figure 7, with arrow on side pointing in direction of water flow.
- Install syphon breaker as in Figure 7. CHECK LOCAL CODE.
- Make connection to water inlet fitting of cone sink. See Figure 7.
- Make 1/2" cold water connection to spray-rinse globe valve, cold water side. This must be separate cold water line. Do not tee off of line to cone unless a 3/4" line is furnished to assembly location. See Figure 7.
- Assemble swirl spray(s) as shown in Figure 9. The assembly method for the swirl spray(s) is the same for all models. Other combinations of convertible and fixed swirl spray(s) are optional. The outlet hole of the fixed swirl spray should be horizontal to promote vortex action in the cone.
NOTE: The convertible spray should be easily adjustable by the operator to function as a swirl spray or as a dish-washing flume. Avoid excessive tightening of nut or lock nut.
- Connect 1/2" pipe to swirl spray as shown in Figure 7.
- The disposer is equipped with a drain outlet designed for a slip-joint connection to a conventional 1 1/2" trap (not furnished). Connect the trap with a branch waste line running directly into the sewage connection (Figure 7). **Do not connect into a grease trap.** A minimum slope of 1/4" per foot of run of waste line is recommended. Limit 1 1/2" drain line to a 15-foot run, free of turns. A minimum number of elbows, tees, etc., reduce the possibility of plumbing stoppages. If unusual sewer conditions exist (too many bends, main too long, low water pressure resulting in low flow rate*, or if a high percentage of food waste is leafy and/or paper), the use of a time delay relay and water injector into sewer is suggested. Under such conditions, additionally, a larger size cold water line, larger solenoid valves and larger syphon breakers should be used to overcome potential stoppages. (Parts and data available from factory.)

*Minimum cold water flow rate used with Models 500 through 1500: 5 gallons per minute or enough to push waste through pipeline into the sewer.

TIP: Water volume adjustment: The top of the swirling water should occasionally crest to the body of the swirl water inlet.

- To use the optional supplementary water connection, see Figure 8.

FIG. 8 OPTIONAL SUPPLEMENTARY WATER CONNECTION

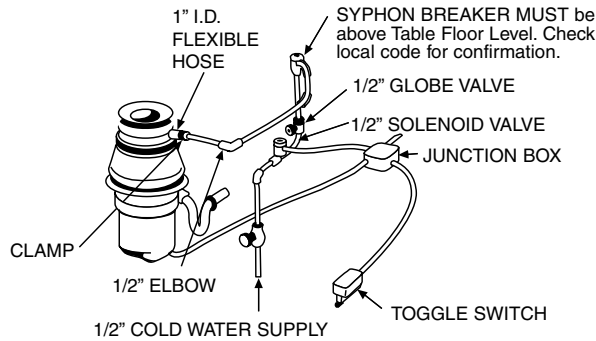
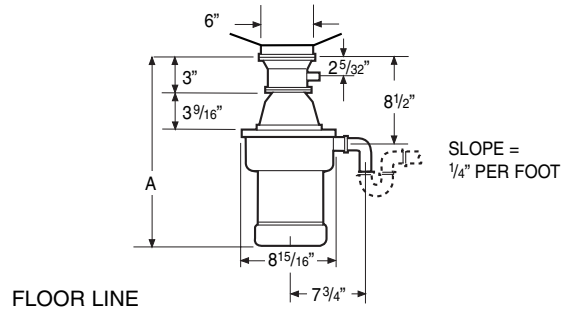


FIG. 10 INSTALLATION DIMENSIONS AND DRAINLINE CONNECTIONS



A {	500-1	= 18 7/16	1250-1	= 19 11/16
	750-1	= 18 15/16	1250-3	= 18 15/16
	750-3	= 18 7/16	1500-1	= 19 11/16
	1000-1	= 18 15/16	1500-3	= 18 15/16
	1000-3	= 18 7/16		

FIG. 9 SWIRL SPRAY(S) ASSEMBLY

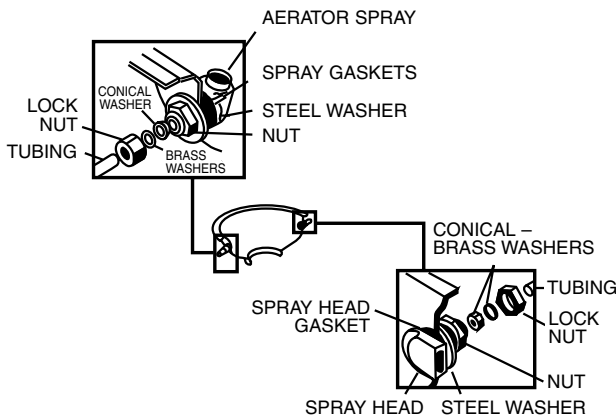
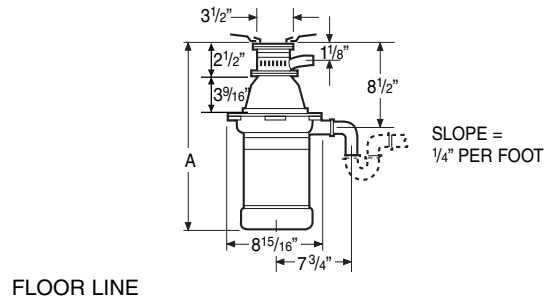


FIG. 11 SINK MOUNTED MODELS (SM)



A {	500-1SM	= 17 11/16	750-1SM	= 18 3/16
			750-3SM	= 17 11/16

ELECTRICAL CONNECTIONS

All electrical connections must be made in accordance with local wiring codes. Flexible BX cable should be used in making electrical connections to motor to avoid transmission of noise. Be careful not to pinch wires when replacing terminal box.

IMPORTANT! THE WASTE KING COMMERCIAL DISPOSER MUST BE CAREFULLY AND PERMANENTLY GROUNDED. GROUND SCREW IS PROVIDED.

Overload Protection: Reset button overload provided on all standard models.

IMPORTANT NOTE: Disposer motor phase, single or three phase, must be the same as power source and line phase. Disposer wiring connection voltage must be the same as the voltage of power source.

ALL SINGLE PHASE MOTORS

3-Pole, 20 Amp., heavy duty switch encased in waterproof receptacle. Two poles of switch control motor and third pole controls solenoid, isolating the two circuits to prevent solenoid kickback when switch is turned off. Refer to Figures 12 and 13 for recommended wiring installation.

SINGLE PHASE 1/2 HP

Factory Wired for 110-120-V A.C. unless otherwise specified. To connect for 220-240-V A.C. refer to information on inside face of terminal box cover.

SINGLE PHASE 3/4 HP, 1HP, 1 1/4 HP, and 1 1/2 HP

Factory Wired for 220-240 volts. To reconnect for 110-120 volts refer to information on inside face of terminal box cover.

NOTE: After installation, be sure turntable rotates clockwise.

CAUTION: When making field changes for voltage, be certain to change all other related electrical circuits such as solenoid valves, relays, etc.

ALL THREE PHASE MOTORS

3-Pole, 20 Amp., heavy duty switch encased in waterproof receptacle. Tap off any two leads for the solenoid valve. Refer to Fig. 14 and 15 for typical wiring installation.

THREE PHASE 3/4 HP, 1HP, 1 1/4 HP, and 1 1/2 HP

All three phase motors are factory wired for 208-240-V A.C. **AFTER INSTALLATION BE SURE TURNABLE ROTATES CLOCKWISE.** If not, interchange any two of the three wires. To reconnect for 460 volts, refer to information shown on inside face of terminal box cover.

FIG. 12 SINGLE PHASE

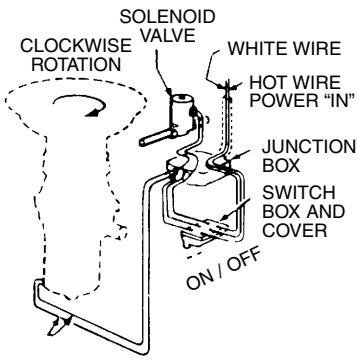
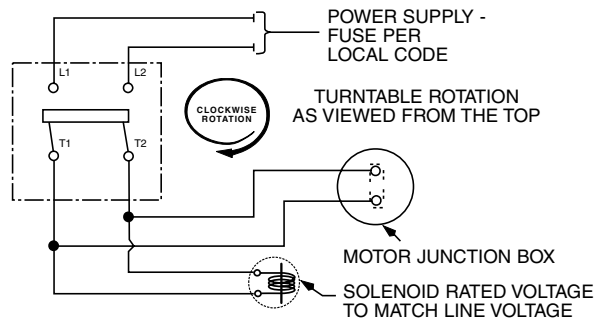


FIG. 13 WIRING FOR SINGLE PHASE UNITS WITH MANUAL SWITCH



MANUAL SWITCH		
MODEL	VOLTS	WK PART NO.
500 – 1500	110-120	2420
	220-240	

NOTES:

1. Motor wired at Factory for 220-240 volts except for 1/2 HP. For 110-120 volts, connect motor wires as shown inside of motor junction box cover.

FIG. 14 THREE PHASE

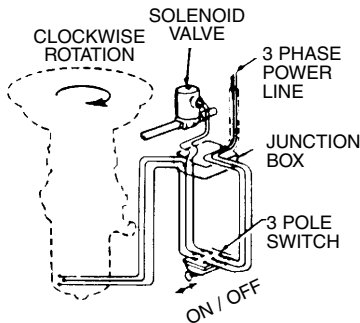
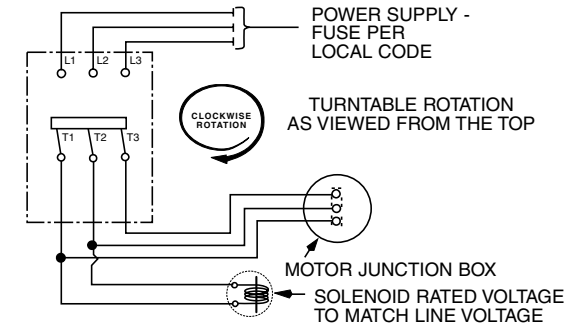


FIG. 15 WIRING FOR THREE PHASE UNITS WITH MANUAL SWITCH

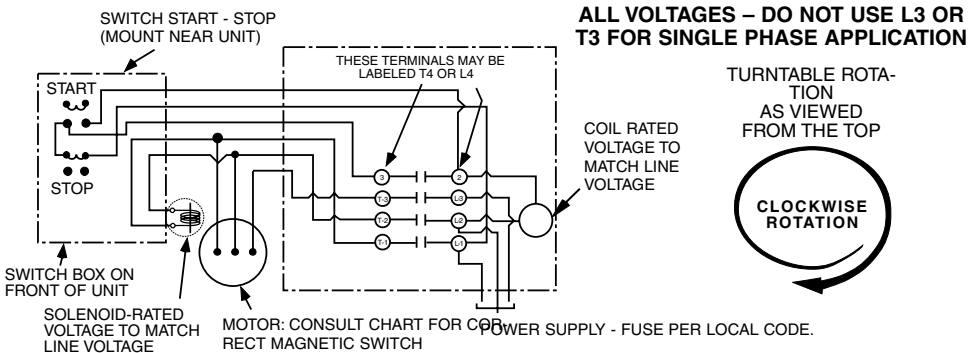


MANUAL SWITCH		
MODEL	VOLTS	WK PART NO.
500 – 1500	208-240	2420
	460	

NOTES:

1. Motor wired at Factory for 208-240 volts. For 460 volts, connect motor wires as shown inside of motor junction box cover.
2. Interchange T1 and T3 to reverse rotation.

FIG. 16 WIRING FOR THREE PHASE UNITS WITH MAGNETIC SWITCH

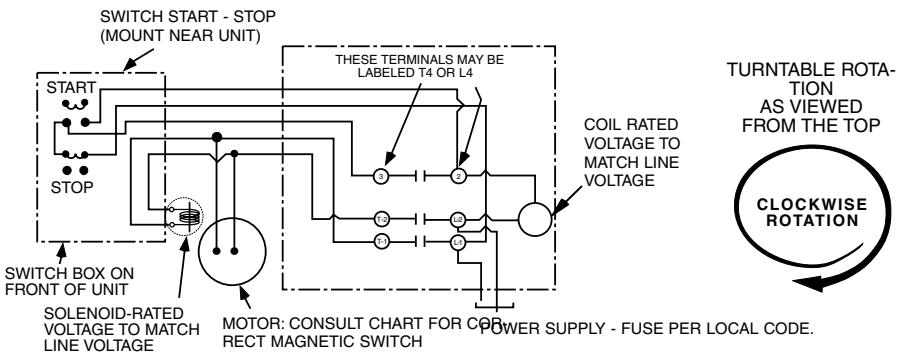


MAGNETIC SWITCH		
MODEL	VOLTS	WK PART NO.
750 – 1500	208-240	2416
	460	2417

NOTES:

1. Motor wired at Factory for 208-240 volts. For 460 volts, connect motor wires as shown inside of motor junction box cover.
2. Interchange T1 and T3 to reverse rotation.
3. No heaters used with magnetic switch.

FIG. 17 WIRING FOR SINGLE PHASE UNITS WITH MAGNETIC SWITCH



MAGNETIC SWITCH		
MODEL	VOLTS	WK PART NO.
500 – 1500	110-120	2414
	220-240	2415

NOTES:

1. Motor wired at Factory for 220-240 volts except for 1/2 HP. For 110-120 volts, connect motor wires as shown inside of motor junction box cover.
2. No heaters used with magnetic switch

TESTING – IMPORTANT! Do not test or run disposer dry as this will damage the seal and void the warranty.

1. Test assembly for leaks: a. where cone joins table b. where disposer joins cone c. all piping connections d. "Swirl Spray" fittings
2. After plumbing and electrical connections are made, turn on disposer to be sure all parts are in working order and that the disposer turntable rotates clockwise when viewed from above. Open valve in vacuum breaker line, and using valves in plumbing assembly (Fig.7), adjust so that water swirls around just below the rim of the cone sink. Leave valves in these positions. These combinations provide a flow of approximately 8 gallons of water per minute.
3. Replace cover, retest for leaks and turn unit off.
4. Unit is now ready for operation.

NOTE:



Rotation of turntable viewed from sink.

IMPORTANT

OPERATING INSTRUCTIONS

NOTICE: These operating instructions should be permanently mounted in an easy-to-read location. Proper operation can greatly improve the life and efficiency of your equipment.

READ ALL INSTRUCTIONS CAREFULLY BEFORE OPERATING

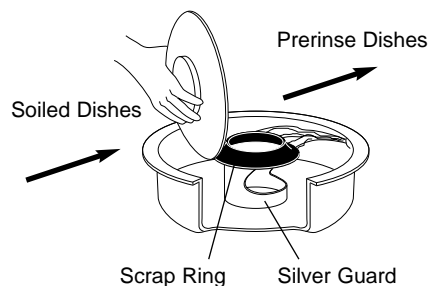
1. **THE WASTE KING COMMERCIAL DISPOSER OPERATES EFFICIENTLY ONLY WHEN SUFFICIENT WATER FLOWS INTO IT. IMPORTANT - Do not test or run disposer dry as this will damage the seal and void the warranty.** Open globe valves so that water swirls around cone just below rim. Leave globe valves in this position. (Check water flow in cone with cover off.)
2. Push "**START**" button or **SWITCH** and be sure unit is running before any waste is fed into it. Feed food waste in gradually. Do not pack food waste into unit. Do not dump garbage can loads directly into unit.
3. **DO NOT ALLOW GLASS, METAL, WOOD, TABLEWARE, CROCKERY OR ANY OTHER NON-FOOD WASTE MATERIAL TO ENTER.** If this occurs, **STOP THE UNIT AND REMOVE SUCH MATERIAL.**
4. **IF MOTOR STOPS, PUSH "STOP" BUTTON OR SWITCH.** Remove any waste material which caused stoppage. Check the turntable to see that it will turn freely. Wait fifteen minutes, push "**RED RESET BUTTON**" firmly (located on the top of junction box). Motor will start when "**START**" button or **Switch is pushed.**
5. If the motor hums and the turntable does not revolve freely, there is usually an obstruction. **PUSH "STOP" BUTTON or Switch.** With a suitable bar or stick, pry against one of the impellers and rotate the turntable in a counterclockwise direction. When turntable is free, **REMOVE THE BAR AND OBSTRUCTING MATERIAL BEFORE PUSHING "START" BUTTON OR SWITCH.**
6. If motor remains silent after resetting the red reset button ("overload protector" as instructed in Item 4 above) and the turntable rotates freely, check the electric fuse and the complete electrical circuit.
7. **ALWAYS ALLOW THE DISPOSER AND THE WATER TO RUN FOR 3 MINUTES** after each disposer operation to keep the unit clean and to flush all food waste out of the drain lines. **THIS IS IMPORTANT.** A Time Delay Kit to automatically continue water flow for a given period of time after the unit is turned off is available through authorized Waste King Service Agencies.
8. **ALWAYS DISCONNECT POWER BEFORE PUTTING YOUR HAND INTO THE GRINDING CHAMBER.**
9. **DO NOT HOSE DOWN DISPOSER.**

If you should require service call your authorized WASTE KING service agency.

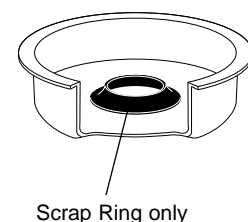
PROPER USE OF ALL PURPOSE ASSEMBLIES

LOCAL SERVICE AGENCY

For those who prefer a scrap block type of operation.



Minimum Silver Guard protection.





**INSTALLATION
INSTRUCTIONS**

**GUIDELINES FOR
FIELD CONSTRUCTED
ENCLOSURES**

BEFORE INSTALLING, READ ENTIRE INSTRUCTIONS CAREFULLY

(PER U.L. 430)

FOR UNREINFORCED FLAT SURFACES:

CAST METAL:NOT LESS THAN 1/8" (3.2 mm) THICK
MALLEABLE IRON:NOT LESS THAN 3/32" (2.4 mm) THICK
DIE-CAST METAL:NOT LESS THAN 5/64" (2.0 mm) THICK

Metal of lesser thickness but not less than 3/32 inch (2.4mm), 1/16 inch (1.6mm) and 3/64 inch (1.2mm) respectively, may be acceptable provided that the surface under consideration is: curved, ribbed, or otherwise reinforced to provide mechanical strength or of a size or shape that provides mechanical strength equivalent to that required.

Metal of lesser thickness may be acceptable when the following factors are taken into account:

- A. MECHANICAL STRENGTH
- B. RESISTANCE TO IMPACT
- C. MOISTURE-ABSORPTION PROPERTIES
- D. COMBUSTIBILITY
- E. RESISTANCE TO CORROSION, AND
- F. RESISTANCE TO DISTORTION AT TEMPERATURES TO WHICH THE ENCLOSURE MAY BE SUBJECTED UNDER CONDITIONS OF NORMAL OR ABNORMAL USE.

FOR A NON-METALLIC ENCLOSURE, ALL OF THESE FACTORS ARE TO BE CONSIDERED WITH RESPECT TO THERMAL AGING.

SHEET METAL:

In addition to the above factors an enclosure of sheet metal shall be determined with respect to size and shape, thickness of metal, and acceptability for the application, considering the intended use of the disposer.

Generally, the use of sheet steel, having a thickness less than 0.0026 inch (0.66mm) if uncoated or 0.029 inch (0.74mm) if galvanized, or of nonferrous sheet metal having a thickness less than 0.036 inch (0.91mm) is not acceptable other than for the relatively small areas or for surfaces that are curved or otherwise reinforced.

Sheet metal to which a wiring system is to be connected in the field shall have a thickness not less than 0.032 inches (0.81mm) if uncoated steel, not less than 0.034 inches (0.86mm) if galvanized steel, and not less than 0.045 inches (1.14mm) if nonferrous.

WITHIN THE U.S.A. AND CANADA

WASTE KING COMMERCIAL FOOD WASTE DISPOSERS

Models 500, 750, 1000, 1250, 1500, 2000, 3000, 5000, 10000

ONE YEAR WARRANTY

This appliance is warranted to be free of manufacturing defects in workmanship and material for one full year beginning from the date of original purchase. Any part found to be defective will be replaced free of charge. Service labor is included. Parts wear is not considered a defect.

This warranty is for products purchased and retained in the 50 states of the United States of America and Canada. This warranty is VOID if the appliance is moved after the original installation. Should the appliance be sold by the original purchaser during the warranty period, the new owner continues to be protected with the appliance in the same location only, until the expiration date of the original purchaser's warranty period.

This warranty shall not apply if service is provided by anyone other than a Factory Authorized Service Agency. Nor will the warranty apply to damage resulting from accident, abuse, failure to follow operating instructions, alteration, or if the installation does not comply with our installation instructions or local building codes.

HOW TO OBTAIN SERVICE

For service, contact the factory at 800-454-4423 for a referral to the nearest factory authorized service agency.

We want you to remain a satisfied customer. If a problem does come up that cannot be resolved to your satisfaction, please let us know. Write: National Service Manager, at the address shown below or phone. Please be sure to include the model number, serial number and date of original purchase.

**WASTE KING COMMERCIAL
WARRANTY DEPARTMENT
4240 E. LA PALMA AVENUE
ANAHEIM, CALIFORNIA 92807
800-454-4423
www.wasteking.com**

OUTSIDE THE U.S.A. AND CANADA

WASTE KING COMMERCIAL FOOD WASTE DISPOSERS

Models 500, 750, 1000, 1250, 1500, 2000, 3000, 5000, 10000

ONE YEAR WARRANTY

This appliance is warranted to be free of manufacturing defects in workmanship and material for one full year beginning from the date of original purchase. Any part found to be defective will be replaced free of charge. Labor is not included. Parts wear is not considered a defect.

This warranty shall not apply to damage resulting from accident, abuse, failure to follow operating instructions, alteration, or if the installation does not comply with our installation instructions or local building codes.

This warranty is for products purchased and retained outside of the United States of America, the District of Columbia and Canada.

HOW TO OBTAIN SERVICE

For warranty consideration, contact the dealer from whom you purchased the appliance or write to us at the address shown below.

We want you to remain a satisfied customer. If a problem does come up that cannot be resolved to your satisfaction, please let us know. Write: National Service Manager, at the address shown below or phone. Please be sure to include the model number, serial number and date of original purchase.

**WASTE KING COMMERCIAL
WARRANTY DEPARTMENT
4240 E. LA PALMA AVENUE
ANAHEIM, CALIFORNIA 92807
U.S.A.**

PHONE 01-01-714-524-7770

FAX 01-01-714-996-7073

www.wasteking.com